

Ref. No.: MAKAUT-WB/2021-22/STORE-COE/001/CORRIGENDUM

Dated: 31-12-2021

This is for information of all the bidders that following amendments /Corrigendum are being made in tender Documents(Ref. no. MAKAUT-WB/2021-22/STORE-COE/001 dated 29-12-2021)

Item Name: BOQ- the specification should be as follows:

Proposed Construction work for Controller of Examination store at Maulana Abul Kalam Azad University of Technology (MAKAUT) at Haringhata, Dist.- Nadia, West Bengal

Proposed Construction work for Controller of Examination store at Maulana Abul Kalam Azad University of Technology (MAKAUT) at Haringhata, Dist.- Nadia, West Bengal

Detailed Project Report (DPR)

PREPARED BY ENGINEERING DEPT,MAKAUT WB,HARINGHATA CAMPUS

- 1 Introduction:The University Authority of MaulanaAbulKalam Azad University of Technology has taken up a huge development activity(i.e immediate-completion of ongoing Laboratory-works (Electrical and Civil) and Store and also Construction-works.by approved resolution of A meeting held on 22/12/2021 in the Chamber of Hon'ble Vice-Chancellor under the chairmanship of Hon'ble Vice-Chancellor.) for its campus including its misc. minor construction works. The proposal for Proposed Construction work for COE Store to use as dept Store is one such step.
- 2 The Controller of Examination Store: It is a Low cost economical Store not more than Ceiling Heigh 10Ft and provided minimum foundation to minimised the construction cost . The university is in urgent need of built up the Store in a suitable area within the campus premises, besides a huge requirement within a short time. .The envelop of the Store will be covered by Metal sheet (dome area) and by Brick Masonary structure(Foundation and upto Sil Height) of different grade as specified.

The Facilities:all the spaces provided in the Store to meet the requirements for Store Purpuse only.Floor has been designed by providing Kota stone Slab in required thickness as Specified

Total area:.Store Size 8500mm x 4500mm (Excluding Plinth protection , Drainage etc.)

The Specification and Finishes: The detail specification of the Store is as follows.

Floor Finish:18 mm. to 22 mm. thick kota stone slab

In side Wall Finish: internal Plastering work and Net Cement

Out Side Wall Finish: External Plastering work and Net Cement

Ceilng Work: Metal Sheeting on Structural Steel hollow Frame

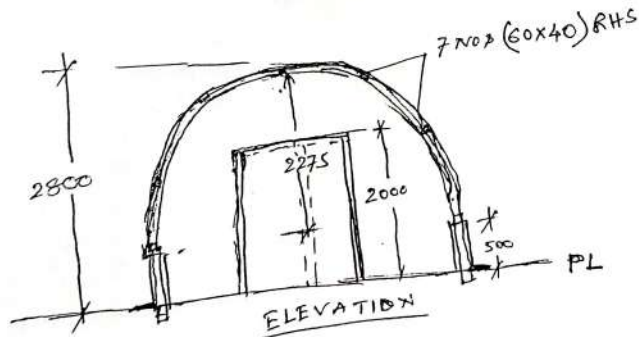
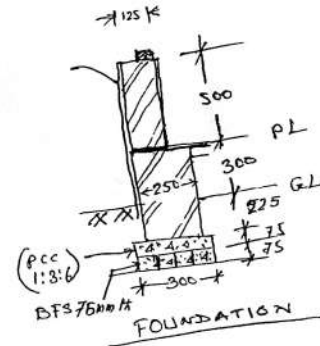
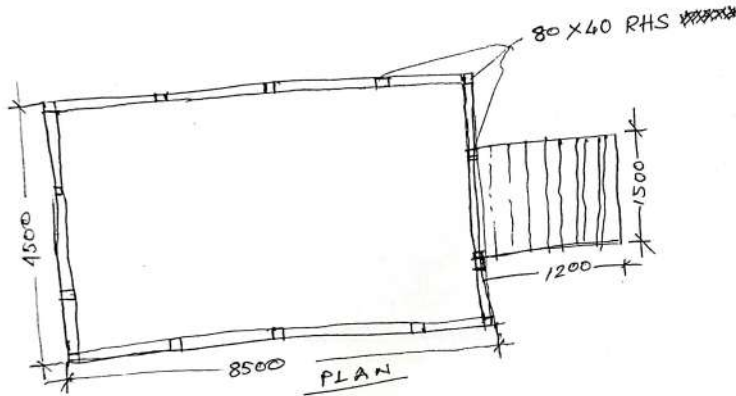
Door: 1200x2100 Steel frame Door (single door)

Anti Termite Treatment

Sl.No.	Schedule Items	Quantity	Unit	Rate	Amount
1	Ref PWD SCHEDULE 2017 Page No-1, Item No-2 Earth work in excavation of foundation trenches or drains, in all sorts of soil (including mixed soil but excluding laterite or sandstone) including removing, spreading or stacking the spoils within a lead of 75 m. as directed. The item includes necessary trimming the sides of trenches, levelling, dressing and ramming the bottom, bailing out water as required complete. (a) Depth of excavation not exceeding 1,500 mm.	2.340	Cum	₹ 119.27	₹ 279.09
2	Ref PWD SCHEDULE 2017 Page No-34, Item No-22 (I) Cement concrete with graded stone ballast (40 mm size excluding shuttering) In ground floor (A) [Pakur Variety] (a) 1:3:6 proportion	0.585	Cu.M	₹ 5,190.00	₹ 3,036.15
	Ramp	0.360	Cu.M	₹ 5,190.00	₹ 1,868.40
3	Item no-8/page no-15 Brick work with 1st class bricks in cement mortar (1:6) Up to GL	1.463	Cu.M	₹ 5,306.00	₹ 7,762.68
	GL TO PL	1.950	Cu.M	₹ 5,306.00	₹ 10,346.70
4	Item No-4/Page No-2 Filling in foundation or plinth by silver sand in layers not exceeding 150 mm as directed and consolidating the same by thorough saturation with water, ramming complete including the cost of supply of sand. (payment to be made on measurement of finished quantity)	5.228	Cu.M	₹ 936.21	₹ 4,894.92
5	Item no-1/Page no-47 25mm. thick damp proof course with cement concrete with stone chips (1:1.5:3) [with graded stone aggregate 10 mm nominal size] and admixture of water proofing compound as per manufacturer's specification followed by two coat of polymer based paint, (1st coat after 4 to 5 days of concretelaying and 2 nd coat just before brick masonry work) as directed (cost of water proofing compound & polymer based paint to be paid separately).(Chequering not required over concrete or painted surface). [Note: - aterproofing as per item 9, polymer based paint as per item 8 (a) of subhead C of Section (C).	6.500	Sq.m	₹ 186.00	₹ 1,209.00
6	Item no-16/page no-16 125 mm. thick brick work with 1st class bricks in cement mortar (1:4) in ground floor.	13.000	Sq.m	₹ 724.00	₹ 9,412.00
7	Item No-1/Page No-189 Plaster (to wall, floor, ceiling etc.) with sand and cement mortar including rounding off or chamfering corners as directed and raking out joints including throating, nosing and drip course, scaffolding/staging where necessary (Ground floor).[Excluding cost of chipping over concrete surface] (ii) With 1:4 cement mortar (a) 20 mm thick plaster	32.775	Sq.m	₹ 186.00	₹ 6,096.15

8	Item No-15/Page No-192 Neat cement punning about 1.5mm thick in wall, dado, window sill, floor etc. NOTE:Cement 0.152 cu.m per100 sq.m.	37.050	Sq.m	₹ 34.00	₹ 1,259.70
9	Item No-1/Page No-14 Single Brick Flat Soling of picked jhama bricks including ramming and dressing bed to proper level and filling joints with local sand.(Flooring)	34.856	Sq.m	₹ 358.00	₹ 12,478.54
10	Ref PWD SCHEDULE 2017 Page No-34, Item No-22 (I) Cement concrete with graded stone ballast (40 mm size excluding shuttering) In ground floor (A) [Pakur Variety] (a) 1:3:6 proportion	2.614	Cum	₹ 5,190.00	₹ 13,567.80
	Plinth protection	1.686	Cum	₹ 5,190.00	₹ 8,750.34
11	Item No-1/Page No-189 Supplying, fitting and fixing 18 mm. to 22 mm. thick kota stone slab in wall, dado in 15 mm thick [avg] cement mortar (1:3) including making suitable arrangement to hold the stone properly by brass / copper hooks including pointing in cement mortar (1:2) (1 cement : 2 marble dust) with admixture of pigments matching the stone shade, including grinding and polishing all complete as per direction of Engineer-in-charge including cost of materials, labour, scaffolding, staging, curing complete. [Using cement slurry for bedding @4.4 kg/Sq.m and for jointing @1.8 kg/Sq.m]	36.094	Sq. M	₹ 1,154.00	₹ 41,652.19
12	Item No-2(A)/Page No-101 M.S. structural works with hollow sections (square or rectangular shape) conforming to IS: 806-1968 & IS:1161-1998) connected to one another with bracket, gusset, cleat as per design, drawing & direction of Engineer-in-Charge complete including cutting to requisite shape & size, fabrication including metal arc welding conforming to IS: 816-1969 & IS: 9595 using electrodes of approved make and brand conforming to IS:814- 2004, haulage, hoisting and erection all complete. The rate includes the cost of all M.S. Hollow section, all consumables such as electrodes, gas and hire charges of all tools and plants and labour required for execution and all incidental chages (such as electricity, labour nsurance) etc. complete. Payment to be made on the basis of calculated weight of structural memebtrs of MS Holow Section as specified in relevent IS code in finished work. Payment for gusset, bracket, cleat may be made by adding the actual weight of such items with weight of finished structural members. The rates are considered for a hight of erection 8 m. / 2nd floor level from the ground. Add 1.5 % extra over the rate for each additional floor or 4m. beyond the initial 8 m. or part thereof. i) For roof truss worksa) Span up to 12 Mtr	626.325	Kg	₹ 58.83	₹ 36,847.95

13	Item No-14/Page No-82 Supplying, fitting & fixing Zn-Al alloy (55% Al & 45% Zn) coating of 150 grams per sq. metre followed by colour coated on both side) steel sheet work having minimum yield strength of 550 Mpa of trapizoidal profile of approved make (excluding the supporting frame work) fitted and fixed with 55 mm & 25 mm self tapping screw, EPDM Washer 16 mm dia & 3 mm th. washer etc. complete with 150 mm end lap and one corrugation minimum side lap. (Payment to be made on area of finished work).	60.778	Sq.m	₹ 787.00	₹ 47,832.10
	Two side's	18.980	Sq.m	₹ 787.00	₹ 14,937.26
14	Item No-1/Page No-200 (a) Priming one coat on steel or other metal surface with synthetic oil bound primer of approved quality including smoothening surfaces by sand papering etc	32.000	Sq.m	₹ 29.00	₹ 928.00
15	Item No-2/Page No-200 (A) Painting with best quality synthetic enamel paint of approved make and brand including smoothening surface by sand papering etc. including using of approved putty etc. on the surface, if necessary : (b) On steel or other metal surface (iv) Two coats (with any shade except white)	32.000	Sq.m	₹ 79.00	₹ 2,528.00
		Total			₹ 2,25,686.96
		Add 5% Electrical cost			₹ 11,284.35
A		Sub total			₹ 2,36,971.30
B		Add GST 12%			₹ 28,436.56
C		Sub total			₹ 2,65,407.86
D		Add labour cess 1%			₹ 2,654.08
		Grand Total			₹ 2,68,061.94
		Contingency 3% of (A+B)			₹ 7,962.24
		Grand Total			₹ 2,76,024.0



* ALL DIMENSION ARE MM
DRAWING NOT TO BE SCALE.

AKG
27/12/21

PROPOSED CONSTRUCTION
WORK FOR G.O.E. AT MAKAUT
SIZE - (8.500 M X 4.500 M)

AKG
27/12/21

PART-D: BOQ

<u>Sl. No.</u>	<u>Item/Job</u>	<u>Quantity</u>	<u>Item Rate (Rs.)</u>	<u>Item Value (Rs.)</u>
1.	TOTAL WORK	01 No.	XXXX	XXXXX
Item Value (excl. GST)				XXXXX
<i>Add: GST @%</i>				XXXX
<i>Add: Labour Cess 1%</i>				
Grand Total (incl. all)				XXXXX

**Sd/-
Registrar,
MAKAUT, WB**